

# Z20 Disturbance Sensor

*The Z20 Disturbance Sensor heightens perimeter security through intelligent detection of vibration or movement of the fence structure. Alarms are generated when disturbance meets predefined criteria.*

The Z20 Disturbance Sensor provides perimeter detection suited to a wide range of security applications. From multi-technology, layered, security solutions which are fully integrated with Gallagher Command Centre, to simple perimeter systems requiring an uncomplicated form of detection, the Z20 Disturbance Sensor provides superior security detection.

## Features and Benefits:

- Cost effective - sensors can retrofit to existing structures.
- Compatible - works with both electric and non-electric fencing systems.
- Highly configurable - adjustable sensitivity allows for user-defined detection parameters which can be individualized for each sensor.
- Intelligent - high integrity detection with low nuisance alarm rates.
- Simple - quick and easy installation, sensors fit to both curved and flat surfaces, low maintenance.

## Advanced Alarm Processing Software

Alarm processing software for the Z20 Disturbance Sensor eliminates the impact of environmental factors, including changes in temperature, structural noise, or disturbances caused by weather. Detection parameters are user defined to achieve the best balance between probability of detection and nuisance alarm rate.

- Parameters on individualized sensors account for differences within the structure and localized sensitivities.
- Sensors can be uniquely identified so event locations are quickly pinpointed.



## Configurable Parameters

The following parameters are configurable within Command Centre for Z20 Disturbance Sensors:

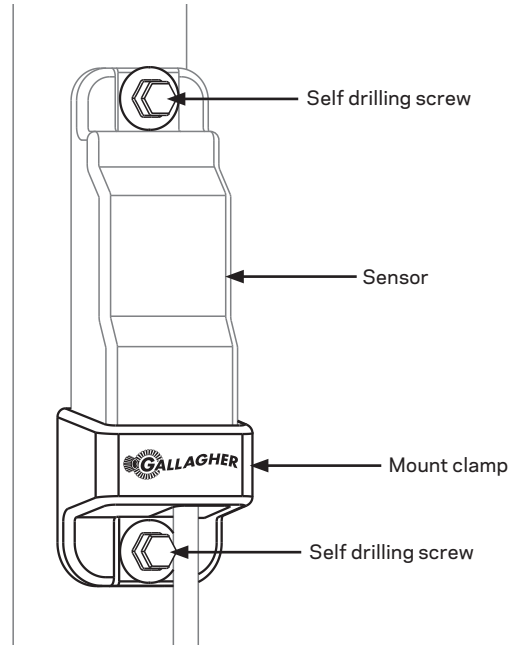
- Dynamic threshold
- Tilt threshold
- Dynamic count threshold
- Dynamic hold time
- Dynamic memory length
- Maximum event count
- Alarm latch duration

Contact your Gallagher representative to find out more about the configurable parameters of the Z20 Disturbance Sensor.

## Applications

The Z20 Disturbance Sensor can be installed on structures and objects including:

- Gallagher Electric Security Fences
- Fences
- Walls
- Cladding
- Safes
- Vaults
- Rooftops
- Ceilings
- Statues
- Paintings



GALLAGHER Z20 DISTURBANCE SENSOR		AUGUST 2014
Dimensions (W x H x D)	40mm x 119mm x 24mm (1 5/8" x 4 3/4" x 1")	
Mount	Mounted using Mount Clamp and 2 screws (included with sensor) at 103mm (4 1/16") pitch	
Colour	Matte black and charcoal	
Voltage	10 - 24 VDC	
Current	9.5mA	
Operating temperature	-20° to +70°c (-4° to +158°F)	
<b>INTEGRATION</b>		
Gallagher Command Centre	Version 6.02 or later	
Controller support	Gallagher Controller 6000	
Number of sensors per Controller	Up to 64 (32 per communication line)	

PART NUMBERS	
G12915	Z20 Disturbance Sensor
G12914	Z20 Mount Clamp

SYSTEM COMPONENTS	
C30010X	Controller 6000
G10517	Gel-filled Wire Crimp Connector
G10520	Wire Splice External Shell
G10600	Cat 5e External Cable
G12810	C10 Controller
G10516	Wire Splice Connector 3-Way Data

### GALLAGHER WORLD HEADQUARTERS

Kahikatea Drive, Hamilton 3206  
Private Bag 3026, Hamilton 3240  
New Zealand

TEL: +64 7 838 9800  
EMAIL: sales@security.gallagher.co

### REGIONAL OFFICES

New Zealand..... +64 7 838 9800  
Americas..... +1 888 430 0770  
Asia ..... +852 2836 7501  
Australia ..... +61 2 9412 4477  
India ..... +91 80 2661 1590  
Middle East..... +9615 808728  
South Africa ..... +27 11 974 4740  
United Kingdom / Europe..... +44 2476 64 1234

Disclaimer: System configuration, network capacities and the volume of system activity affect performance. Please contact Gallagher for advice. In accordance with the Gallagher policy of continuing development, design and specifications are subject to change without notice. Gallagher Group Limited is an ISO 9001:2008 Certified Supplier. Copyright © Gallagher Group Limited 2012. All rights reserved.

